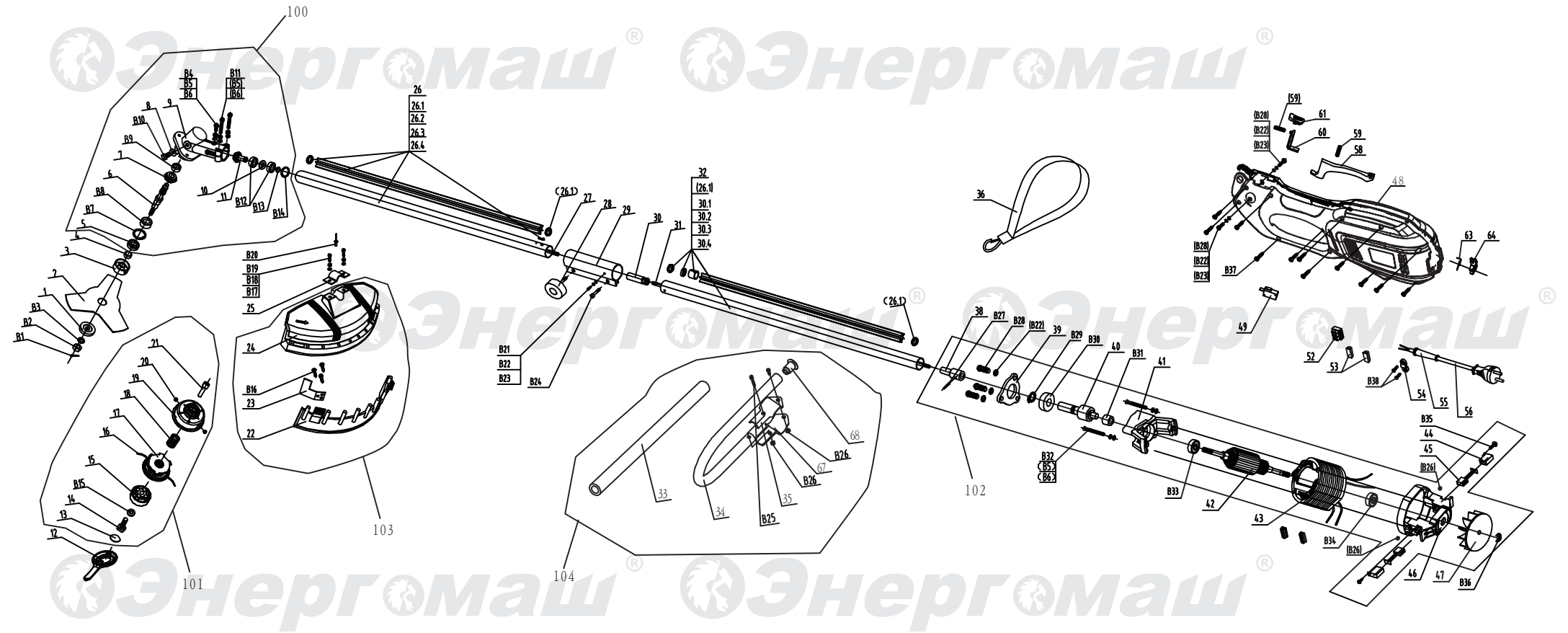


ЭТ-1500



ЭТ-1500

NO.	DESCRIPTION	NO.	DESCRIPTION	NO.	DESCRIPTION
1	DOWN FLANGE	32.3	PLASTIC TUBE B	B7	CIRCLIP 32
2	BLADE	32.4	STEEL TUBE B	B8	BEARING 6201Z
3	UPPER FLANGE	33	SPONGE TUBE	B9	BEARING 629Z
4	LOCATING BUSH	34	HANDLE	B10	BOLT M8X10
5	OIL SEAL	35	HANDLE UPPER CLMAP	B11	SCREW M5X20
6	SPINDLE	36	SHOULDER STRAP	B12	BEARING 6900Z
7	BIG GEAR	38	SOFT SHAFT COUPLER	B13	CIRCLIP 10
8	SEAL RING	39	GEAR BOX COVER	B14	CIRCLIP 22
9	GEAR BOX	40	SMALL GEAR SHAFT	B15	WASHER 6
10	WASHER	41	MOTOR FRONT BRACKET	B16	SCREW ST4.2X12
11	PINION SHAFT	42	ROTOR	B17	SCREW M6X29
12	PLASTIC SPANNER	43	STATOR	B18	SPRING WASHER 6
13	JAM	44	CARBON BRUSH HOLDER	B19	WASHER 6
14	SQUARE HEAD SCREW	45	CARBON BRUSH	B20	RIVET 4X6
15	SPOOL COVER	46	MOTOR BACK BRACKET	B21	SCREW M4X10
16	NYLON LINE	47	FAN	B22	SPRING WASHER 4
17	BASE OF NYLON LINE	48	HOUSING	B23	WASHER 4
18	SPRING	49	SWITCH	B24	SCREW M6X14
19	BOX OF NYLON LINE	52	TERMINAL BLOCK	B25	SCREW M6X30
20	BUSH	53	RUBBER LINE	B26	NUT M6
21	HEXAGONAL SHAFT	54	CABLE CLAMP	B27	PIN Ø3X18
22	DOWN GUARD	55	CABLE SLEEVE	B28	SCREW M4X12
23	BLADE	56	CABLE & PLUG	B29	CIRCLIP 10
24	GUARD	58	SWITCH TRIGGER	B30	BEARING 6900Z
25	GUARD PRESS BOARD	59	TRIGGER SPRING	B31	NEEDLE BEARING HK0608
26	STEEL TUBE ASSEMBLY A	60	SAFETY ROD	B32	SCREW M5X55
26.1	TOOL CIRCLIP	61	SAFETY LOCKING BUTTON	B33	BEARING 6000Z
26.2	PLASTIC TUBE A	63	TORSIONAL SPRING	B34	BEARING 608Z
26.3	STEEL TUBE A	64	CABLE HOOK	B35	SCREW ST2.9X10
26.4	SHRAPNEL	67	HANDLE DOWN CLMAP	B36	CIRCLIP 6
27	SOFT SHAFT A	68	JAM	B37	SCREW ST4.2X15
28	LOCKING KNOB	B1	COTTER	B38	SCREW ST4.2X15
29	CONNECT TUBE	B2	NUT M10X1.25	100	GEAR BOX ASSEMBLY
30	SHAFT BUSH	B3	WASHER 10	101	SPOOL ASSEMBLY
31	SOFT SHAFT B	B4	SCREW M5X12	102	MOTOR ASSEMBLY
32.1	TOOL CIRCLIP	B5	SPRING WASHER 5	103	GUARD ASSEMBLY
32.2	BUSH	B6	WASHER 5	104	HANDLE ASSEMBLY